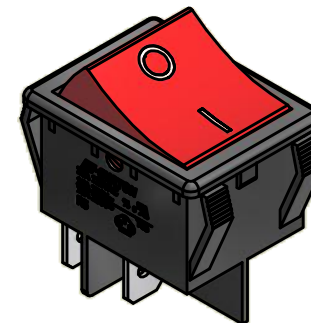
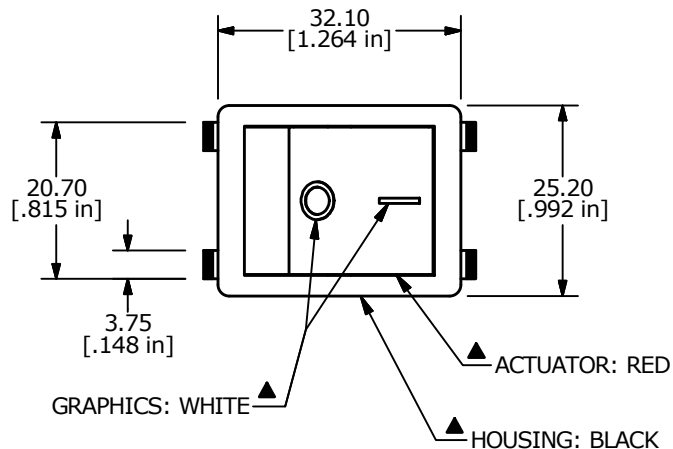
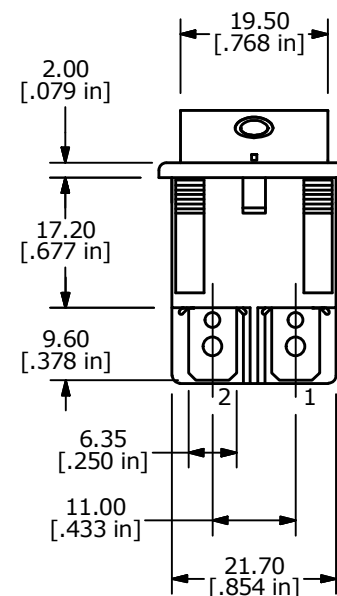
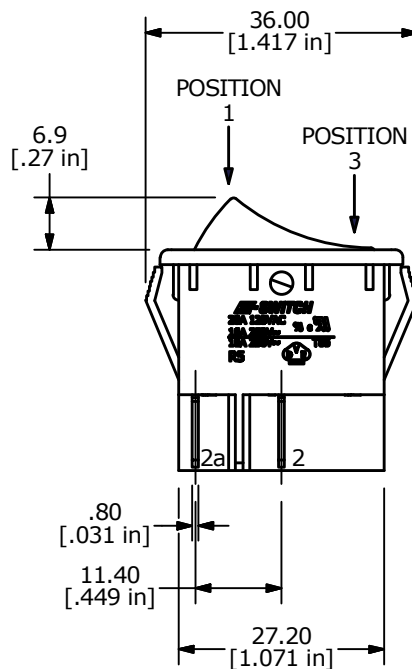
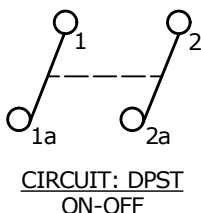


RECOMMENDED PANEL MOUNTING

PANEL THICKNESS	X
0.70-1.25	30.1±0.1
1.25-2.00	30.3±0.1
2.00-3.00	30.7±0.1



SWITCH FUNCTION		
POS. 1	POS. 2	POS. 3
OFF	NONE	ON
OPEN	N/A	1-1a, 2-2a



NOTES:

- ALL DIMENSIONS IN MM [INCH]
- GENERAL TOLERANCE: X.X = ±0.4  
X.XX = ±0.25
- TERM. NOS. FOR REF. ONLY
- RATING: 20A @125VAC 3/4 HP UL APPROVED  
16A @250VAC 1 HP UL APPROVED  
16A @ 250VAC 1 HP VDE APPROVED
- ELECTRICAL LIFE: 10,000 CYCLES
- MECHANICAL LIFE: 30,000 CYCLES
- CONTACT RESISTANCE: <20 MILLI-OHMS INITIAL
- DIELECTRIC STRENGTH: >1,500V AC 1MIN
- INSULATION RESISTANCE: >1000MOHMS
- OPERATING TEMP: TERMINAL SIDE: -20°C to 85°C  
ROCKER SIDE: -20°C to 55°C
- ▲ DENOTES CRITICAL PARAMETER.
- 2002/95/EC (ROHS) COMPLIANT



TITLE R5ABLKREDFF0

A	21956	RELEASE FOR PRODUCTION	8/20/15	MW
REV	PCR NO	DESCRIPTION	DATE	BY

SCALE	DATE	DR	DWG	REV
1:1	8/20/2015	BMA	M530776	A

THE INFORMATION CONTAINED IN THIS DOCUMENT IS PROPRIETARY TO E-SWITCH AND IS NOT TO BE COPIED OR TRANSFERRED